

**SIKU®**

The hinge system for PVCu entrance doors



**NEW**  
**SIKU 3D**  
up to 160 kg

# INDEX

---

## SIKU® – The hinge system for PVCu entrance doors

---

		<b>Screw-on hinges for PVCu entrance doors</b>	
5	<b>SIKU 3D K 4040</b>	up to 80 kg	with angular fixing cams
6	<b>SIKU 3D K 4045</b>	up to 80 kg	for flexible fixing
7	<b>SIKU 3D K 3030</b>	up to 120 kg	with angular fixing cams
8	<b>SIKU 3D K 3035</b>	up to 120 kg	with robust barbs for fixing
9	<b>SIKU 3D K 6060</b>	up to 160 kg	with robust angular fixing cams for extremely high pull-out strength
10	<b>SIKU 3D K 6065</b>	up to 160 kg	with robust barbs for fixing

---

		<b>Knuckle hinges for modern PVCu entrance doors</b>	
13	<b>SIKU RB</b>		Overview of profiles
14	<b>RB 5010 3D</b>	up to 120 kg	sash drilling position 10.0 mm
15	<b>RB 5015 3D</b>	up to 120 kg	sash drilling position 11.5 mm
16	<b>RB 5020 3D</b>	up to 120 kg	sash drilling position 13.0 mm
17	<b>Spacer, Countersunk metal screw</b>		accessories

---

18 **Assembly**

---

24 **Application accessories**

---

28 Service

---

# SYMBIOSIS OF DESIGN, FUNCTION AND PROCESSING

The modern entrance door is characterised by different specifications. They represent the individual character of their occupants on the one hand whilst meeting the high performance requirements for burglar resistance, thermal protection and design. The hinge system chosen therefore takes an important role in this combination between design and function.

As a deliberate refinement of the well-known SIKU brand SIMONSWERK presents for the first time a knuckle hinge system for PVCu entrance doors.

**Screw-on hinges** – Rounded edges, appropriate knuckle diameters and cover caps provide a harmonic visual appearance.

**Knuckle hinges** – The stainless steel versions of the hinge system in knuckle design is particularly eye-catching and becomes a high-quality detail.

---

## FEATURES AT A GLANCE

- › 3D adjustment
  - › load capacities up to 160 kg
  - › coordinated hinge versions for different profile types and areas of application
  - › also available as knuckle hinge (RB)
- 

SIKU® 3D



SIKU® RB

# THE SYSTEM – FLEXIBLE AND ADAPTABLE

## SIKU® 3D – SLIM SHAPES OFFERING MAXIMUM LOAD CAPACITY

Co-ordinated in appearance, high-quality in processing and high technical standards is the standard of SIKU 3D. The new **SIKU K 6** series in particular offers load capacities of up to 160 kg and can therefore be used on particularly heavy PVCu entrance doors without interrupting the elegant appearance of the screw-on hinge.

The **SIKU K 3** series is suitable for heavy PVCu entrance doors with load capacities up to 120 kg. The **SIKU K 4** series with load capacities of up to 80 kg is ideal for light entrance and side entrance doors.

The SIKU K 6 series is designed for overlap thicknesses of 16-26 mm and is equipped on the door part with robust angular fixing cams for extremely high pull-out strength. The SIKU K 3 and K 4 series are suitable for overlap thicknesses of 15-28 mm and are equipped with angular fixing cams for extremely high pull-out strength or have robust barbs for fixing.

## FEATURES AT A GLANCE

- › door part with robust angular fixing cams or with robust barbs for fixing
- › load capacities up to 80 kg (K 4 series), 120 kg (K 3 series), 160 kg (K 6 series)
- › overlap thicknesses 15-28 mm
- › maintenance-free slide bearings
- › available in three options



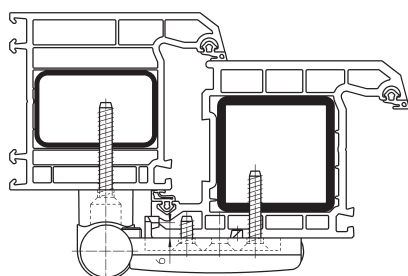
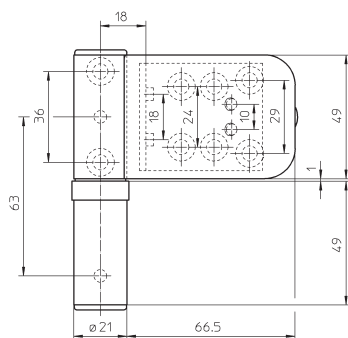
**SIKU® 3D K 4 series**  
load capacity up to 80 kg



**SIKU® 3D K 3 series**  
load capacity up to 120 kg



**SIKU® 3D K 6 series**  
load capacity up to 160 kg



## SIKU 3D K 4040 series

for light weight PVCu entrance doors and side entrance doors with angular fixing cams

entrance door hinge	overlap thicknesses 15-28 mm	up to 80 kg
---------------------	------------------------------	-------------

### Product features

- for overlap thicknesses 15-28 mm
- door part with angular fixing cams for extremely high pull-out strength
- 3D adjustment (side +/- 5.0 mm, height + 5.0/- 1.0 mm, compression +/- 2.0 mm)
- with integral security pin
- maintenance-free slide bearings

### Technical details

load capacity	<b>i</b> two hinges per door leaf (1x2m)	80.0 kg
knuckle length		100.0 mm
knuckle diameter		21.0 mm

### Finishes

RAL 9016 Traffic White (070), H9 Brown (071), RAL 8003 Clay Brown (084), RAL 9006 White Alu, clear Ic (204), other finishes available upon request

### Installation tools

jig telescope jig SIKU 3D type 1  
drilling jig SIKU 3D simultaneous fitting type 1

see page 26

### Note

**i** The load capacity mentioned above refers to the use of 2 hinges per door leaf (1 x 2 m).

### Available options

SIKU 3D K 4040	overlap thicknesses 15-19 mm
SIKU 3D K 4140	overlap thicknesses 18-22 mm
SIKU 3D K 4240	overlap thicknesses 21-25 mm
SIKU 3D K 4340	overlap thicknesses 24-28 mm

Detailed information in our PRODUCTSELECTOR at [www.simonswerk.com](http://www.simonswerk.com)

SIKU®

**SIKU 3D K 4045 series**

for light weight PVCu doors for flexible fixing

entrance door hinge	overlap thicknesses 15-28 mm	up to 80 kg
---------------------	------------------------------	-------------

**Product features**

- for overlap thicknesses 15-28 mm
- door part for flexible fixing
- 3D adjustment (side +/- 5.0 mm, height + 5.0/- 1.0 mm, compression +/- 2.0 mm)
- with integral security pin
- maintenance-free slide bearings

**Technical details**

load capacity	<b>i</b> two hinges per door leaf (1x2m)	80.0 kg
knuckle length		100.0 mm
knuckle diameter		21.0 mm

**Finishes**

RAL 9016 Traffic White (070), H9 Brown (071), Satin Chrome Look (F1) (124), RAL 1036 Pearl Gold (198), RAL 9006 White Alu, clear lc (204), other finishes available upon request

**Installation tools**

jig telescope jig SIKU 3D type 4  
drilling jig SIKU 3D simultaneous fitting type 4

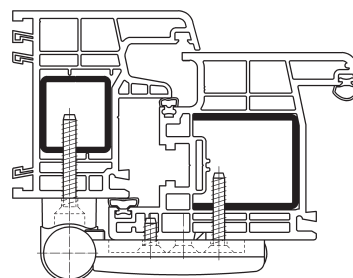
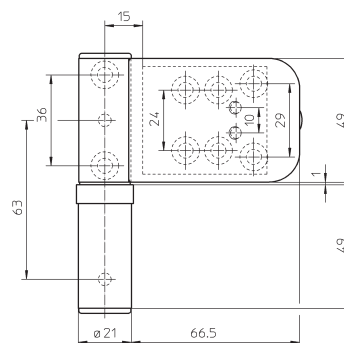
see page 26

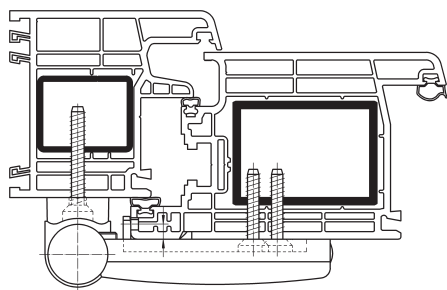
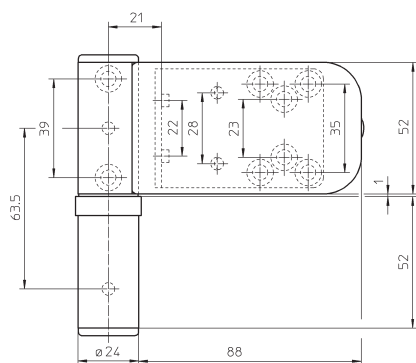
**Note**

**i** The load capacity mentioned above refers to the use of 2 hinges per door leaf (1 x 2 m).

**Available options**

SIKU 3D K 4045	overlap thicknesses 15-19 mm
SIKU 3D K 4145	overlap thicknesses 18-22 mm
SIKU 3D K 4245	overlap thicknesses 21-25 mm
SIKU 3D K 4345	overlap thicknesses 24-28 mm

Detailed information in our PRODUCTSELECTOR at [www.simonswerk.com](http://www.simonswerk.com)



## SIKU 3D K 3030 series

for PVCu entrance doors with angular fixing cams

entrance door hinge	overlap thicknesses 15-28 mm	up to 120 kg
---------------------	------------------------------	--------------

### Product features

- for overlap thicknesses 15-28 mm
- door part with angular fixing cams for extremely high pull-out strength
- 3D adjustment (side +/- 5.0 mm, height + 5.0/- 1.0 mm, compression +/- 2.0 mm)
- with integral security pin
- maintenance-free slide bearings

### Technical details

load capacity	<b>i</b> two hinges per door leaf (1x2m)	120.0 kg
knuckle length		105.0 mm
knuckle diameter		24.0 mm

### Finishes

RAL 9016 Traffic White (070), H9 Brown (071), RAL 8003 Clay Brown (084), Satin Chrome Look (F1) (124), RAL 1036 Pearl Gold, Lac. (155), RAL 1036 Pearl Gold (198), RAL 9006 White Alu, clear lc (204), other finishes available upon request

### Installation tools

jig telescope jig SIKU 3D type 1  
drilling jig SIKU 3D simultaneous fitting type 1

see page 26

### Functional areas

burglar resistance

### Note

**i** The load capacity mentioned above refers to the use of 2 hinges per door leaf (1 x 2 m).

### Classification key

4	7	6	0	1	—*1	1	13
---	---	---	---	---	-----	---	----

\*1 depending on the finish

### Available options

SIKU 3D K 3030	overlap thicknesses 15-19 mm
SIKU 3D K 3130	overlap thicknesses 18-22 mm
SIKU 3D K 3230	overlap thicknesses 21-25 mm
SIKU 3D K 3330	overlap thicknesses 24-28 mm

Detailed information in our PRODUCTSELECTOR at [www.simonswerk.com](http://www.simonswerk.com)

SIKU®

**SIKU 3D K 3035 series**

for PVCu entrance doors with robust barbs for fixing

entrance door hinge	overlap thicknesses 15-28 mm	up to 120 kg
---------------------	------------------------------	--------------

**Product features**

- for overlap thicknesses 15-28 mm
- door part with robust barbs for fixing
- 3D adjustment (side +/- 5.0 mm, height + 5.0/- 1.0 mm, compression +/- 2.0 mm)
- with integral security pin
- maintenance-free slide bearings

**Technical details**

load capacity	<b>i</b> two hinges per door leaf (1x2m)	120.0 kg
knuckle length		105.0 mm
knuckle diameter		24.0 mm

**Finishes**

RAL 9016 Traffic White (070), H9 Brown (071), Satin Chrome Look (F1) (124), RAL 1036 Pearl Gold, Lac. (155), RAL 1036 Pearl Gold (198), RAL 9006 White Alu clear lc (204), other finishes available upon request

**Installation tools**

jig telescope jig SIKU 3D type 2  
drilling jig SIKU 3D simultaneous fitting type 2

see page 26

**Functional areas**

burglar resistance

**Note**

**i** The load capacity mentioned above refers to the use of 2 hinges per door leaf (1 x 2 m).

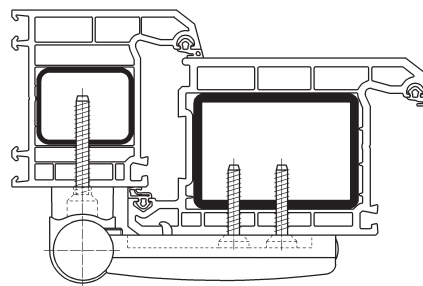
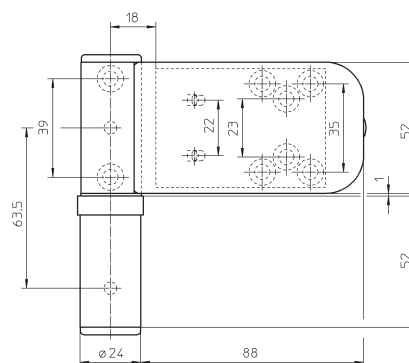
**Classification key**

4	7	6	0	1	—*1	1	13
---	---	---	---	---	-----	---	----

\*1 depending on the finish

**Available options**

SIKU 3D K 3035	overlap thicknesses 15-19 mm
SIKU 3D K 3135	overlap thicknesses 18-22 mm
SIKU 3D K 3235	overlap thicknesses 21-25 mm
SIKU 3D K 3335	overlap thicknesses 24-28 mm

Detailed information in our PRODUCTSELECTOR at [www.simonswerk.com](http://www.simonswerk.com)





**NEW**

## SIKU 3D K 6060 series

for PVCu entrance doors with robust angular fixing cams for extremely high pull-out strength

entrance door hinge	overlap thicknesses 16-26 mm	up to 160 kg
---------------------	------------------------------	--------------

### Product features

- for overlap thicknesses 16-26 mm
- 3-part hinge knuckle
- door part with angular fixing cams for extremely high pull-out strength
- 3D adjustment (side +/- 5.0 mm, height + 4.0/- 1.0 mm, compression +/- 2.0 mm)
- with integral security pin
- maintenance-free slide bearings

### Technical details

load capacity	<b>i</b> two hinges per door leaf (1x2m)	160.0 kg
knuckle length		140.0 mm
knuckle diameter		24.0 mm

### Finishes

RAL 9016 Traffic White (070), H9 Brown (071), other finishes available upon request

### Installation tools

jig telescope jig SIKU 3D type 1  
drilling jig SIKU 3D simultaneous fitting type 1

see page 26

### Functional areas

burglar resistance

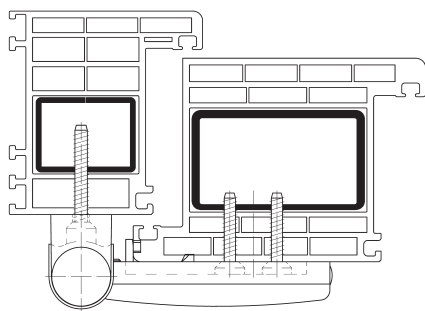
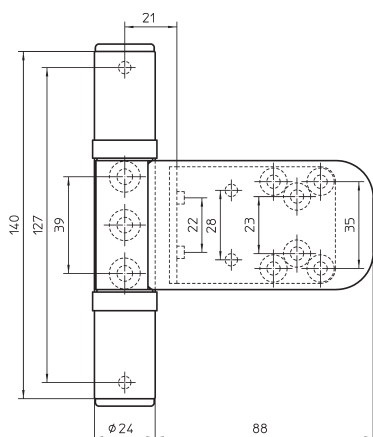
### Note

**i** The load capacity mentioned above refers to the use of 2 hinges per door leaf (1 x 2 m).

### Available options

SIKU 3D K 6060	overlap thicknesses 16-20 mm
SIKU 3D K 6160	overlap thicknesses 19-23 mm
SIKU 3D K 6260	overlap thicknesses 22-26 mm

Detailed information in our PRODUCTSELECTOR at [www.simonswerk.com](http://www.simonswerk.com)



SIKU®

**SIKU 3D K 6065 series**

for PVCu entrance doors with robust barbs for fixing

entrance door hinge	overlap thicknesses 16-26 mm	up to 160 kg
---------------------	------------------------------	--------------

**Product features**

- for overlap thicknesses 16-26 mm
- 3-part hinge knuckle
- door part with robust barbs for fixing
- 3D adjustment (side +/- 5.0 mm, height + 4.0/- 1.0 mm, compression +/- 2.0 mm)
- with integral security pin
- maintenance-free slide bearings

**Technical details**

load capacity	<b>i</b> two hinges per door leaf (1x2m)	160.0 kg
knuckle length		140.0 mm
knuckle diameter		24.0 mm

**Finishes**

RAL 9016 Traffic White (070), H9 Brown (071), other finishes available upon request

**Installation tools**

jig	telescope jig SIKU 3D type 2
	drilling jig SIKU 3D simultaneous fitting type 2

see page 26

**Functional areas**

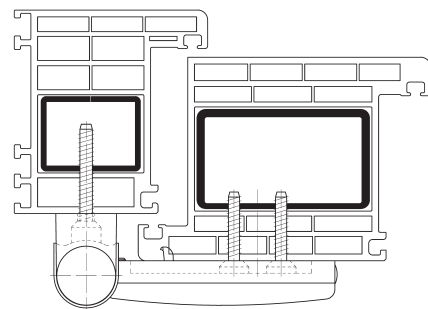
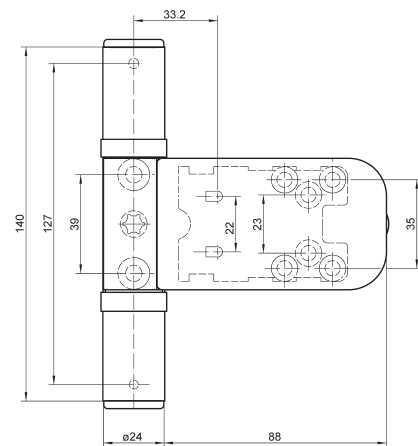
burglar resistance

**Note****i** The load capacity mentioned above refers to the use of 2 hinges per door leaf (1 x 2 m).**Available options**

SIKU 3D K 6065	overlap thicknesses 16-20 mm
SIKU 3D K 6165	overlap thicknesses 19-23 mm
SIKU 3D K 6265	overlap thicknesses 22-26 mm

Detailed information in our PRODUCTSELECTOR at [www.simonswerk.com](http://www.simonswerk.com)

NEW





**SIKU® 3D K 6 series**  
load capacity up to 160 kg

# A LOAD-BEARING CONNECTION – RESILIENT, FUNCTIONAL, ELEGANT

## SIKU® RB – THE KNUCKLE HINGE SYSTEM FOR PVCU ENTRANCE DOORS

As a deliberate refinement of the well-known SIKU brand SIMONSWERK presents for the first time a knuckle hinge system for PVCu entrance doors. The knuckle hinge is spotlighted by its elegant visual appearance and opens up new design options for PVCu entrance doors, and this without affecting the design of the door. In addition to the standard white and brown finishes the stainless steel version particularly conveys the special character of the knuckle hinge SIKU RB. Ambitious design and high performance technical qualities are the criteria for the SIKU RB hinge system. The knuckle hinge is suitable for all current profile types and for continuous acoustic seals. Load capacity up to 120 kg, comfortable 3D adjustment and a fast and efficient fitting complete the features of the hinge system.

---

### FEATURES AT A GLANCE

- › elegant hinge knuckle design
  - › continuous acoustic seal possible
  - › comfortable 3D adjustment
  - › load capacities up to 120 kg
  - › rational fitting thanks to positioning cams and screw-on technology
  - › suitable for all current profile types
  - › suitable for doors with leaf-enclosing infills
- 



### SIKU® RB

load capacity up to 120 kg

# OVERVIEW OF PROFILES

## SIKU® RB

System provider	Profile system	Hinge system
Aluplast	Ideal 4000	RB 5015 3D
	Ideal 5000 inwards	RB 5015 3D
	Ideal 5000 outwards	RB 5015 3D
	Ideal 7000 inwards	RB 5015 3D
	Ideal 7000 outwards	RB 5015 3D
	Ideal 8000	RB 5010 3D
	Ideal 8000	RB 5015 3D
	Brüggmann	AD
MD		RB 5010 3D
bluEvolution		RB 5020 3D
Gealan	S 7000	RB 5010 3D
	S 8000	RB 5010 3D
Inoutic	Prestige outwards	RB 5015 3D
KBE	Profine 76	RB 5010 3D
L.B. Profile	PCD-CL 2-5/PCD-CT 27-5	RB 5020 3D
	PCD-CL 2-5/PCD-CT 28-4	RB 5020 3D
	PCD-CL 2-5/PCD-CZ 7-5	RB 5020 3D
	PCD-CL 2-5/PCD-CZ 8-4	RB 5020 3D
Rehau	Brillant-Design inwards	RB 5015 3D
	Geneo inwards	RB 5010 3D
	Synego	RB 5020 3D
Salamander	2D	RB 5010 3D
	3D	RB 5010 3D
	Blu Evol.	RB 5020 3D
	MD76	RB 5015 3D
	Streamline	RB 5010 3D
Schüco	CT 70	RB 5010 3D
	82 Plus	RB 5010 3D
Tropical	Profine 76	RB 5010 3D
	88 Plus	RB 5020 3D
VEKA	Alphaline 90	RB 5015 3D
	Softline 70	RB 5015 3D
	Swingline 70	RB 5015 3D
	Topline 70	RB 5015 3D
	Topline AD	RB 5015 3D



**Depending on the gasket and profile tolerance, there may be deviations in the hinge types. If necessary, a sample mount is to be made. Further combinations upon request!**

# SIKU®

## RB 5010 3D

for PVCu entrance doors - sash drilling position 10.0 mm

entrance door hinge drilling position 10.0 mm

### Product features

- sash drilling position 10.0 mm
- knuckle design hinge for continuous acoustic seal
- comfortable 3D adjustment (side +/- 3.0 mm, height +/- 3.0 mm, compression +/- 1.5 mm)
- internal torsion-proof pin
- rational fitting thanks to positioning cams and screw-on technology
- maintenance-free slide bearings

### Technical details

load capacity	<b>i</b> two hinges per door leaf (1x2m)	120.0 kg
knuckle length		140.0 mm
knuckle diameter		20.0 mm
material thickness		3.5 mm

### Finishes

RAL 9016 Traffic White (070), H9 Brown (071), Satin Stainless Steel (040), coloured (079), other finishes available upon request

### Installation tools

jig telescopic serial drilling jig SIKU RB type 5  
drilling jig SIKU RB simultaneous fixing type 5

see page 26

### Note

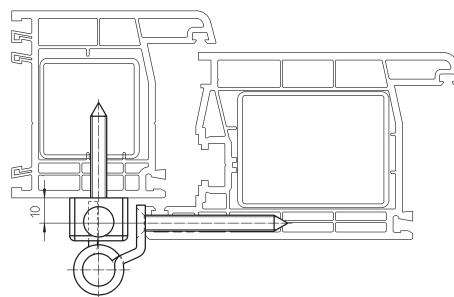
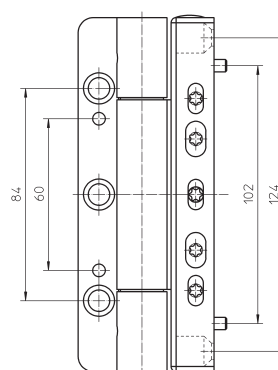
**i** The load capacity mentioned above refers to the use of 2 hinges per door leaf (1 x 2 m). Also available with security pin (MSTS).

### Classification key

4	7	5	0	1	—*1	1	12*2
---	---	---	---	---	-----	---	------

\*1 depending on the finish

\*2 test cycles in continuous operation with 120 kg





## RB 5015 3D

for PVCu entrance doors - sash drilling position 11.5 mm

entrance door hinge	drilling position 11.5 mm
---------------------	---------------------------

### Product features

- sash drilling position 11.5 mm
- knuckle design hinge for continuous acoustic seal
- comfortable 3D adjustment (side +/- 3.0 mm, height +/- 3.0 mm, compression +/- 1.5 mm)
- internal torsion-proof pin
- rational fitting thanks to positioning cams and screw-on technology
- maintenance-free slide bearings

### Technical details

load capacity	<b>i</b> two hinges per door leaf (1x2m)	120.0 kg
knuckle length		140.0 mm
knuckle diameter		20.0 mm
material thickness		3.5 mm

### Finishes

RAL 9016 Traffic White (070), H9 Brown (071), Satin Stainless Steel (040), coloured (079), other finishes available upon request

### Installation tools

jig telescopic serial drilling jig SIKU RB type 5  
drilling jig SIKU RB simultaneous fixing type 5

see page 26

### Note

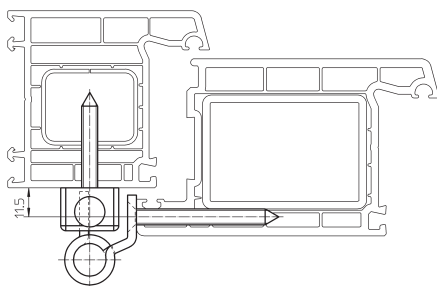
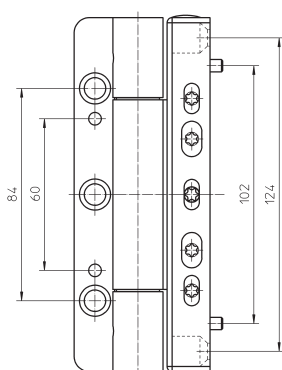
**i** The load capacity mentioned above refers to the use of 2 hinges per door leaf (1 x 2 m). Also available with security pin (MSTS).

### Classification key

4	7	5	0	1	—*1	1	12*2
---	---	---	---	---	-----	---	------

\*1 depending on the finish

\*2 test cycles in continuous operation with 120 kg



# SIKU®

## RB 5020 3D

for PVCu entrance doors - sash drilling position 13.0 mm

entrance door hinge drilling position 13.0 mm

### Product features

- sash drilling position 13.0 mm
- knuckle design hinge for continuous acoustic seal
- comfortable 3D adjustment (side +/- 3.0 mm, height +/- 3.0 mm, compression +/- 1.5 mm)
- internal torsion-proof pin
- rational fitting thanks to positioning cams and screw-on technology
- maintenance-free slide bearings

### Technical details

load capacity	<b>i</b> two hinges per door leaf (1x2m)	120.0 kg
knuckle length		140.0 mm
knuckle diameter		20.0 mm
material thickness		3.5 mm

### Finishes

RAL 9016 Traffic White (070), H9 Brown (071), Satin Stainless Steel (040), coloured (079), other finishes available upon request

### Installation tools

jig telescopic serial drilling jig SIKU RB type 5  
drilling jig SIKU RB simultaneous fixing type 5

see page 26

### Note

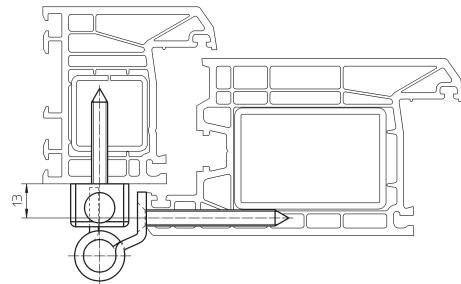
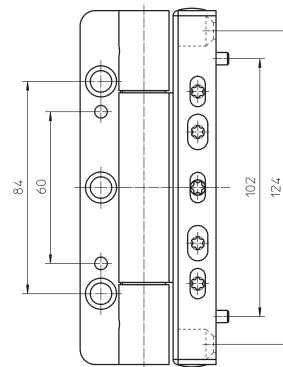
**i** The load capacity mentioned above refers to the use of 2 hinges per door leaf (1 x 2 m). Also available with security pin (MSTS).

### Classification key

4	7	5	0	1	—*1	1	12*2
---	---	---	---	---	-----	---	------

\*1 depending on the finish

\*2 test cycles in continuous operation with 120 kg







## Spacer SIKU RB 2 mm

accessories for SIKU RB hinges

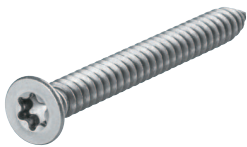
<b>accessories</b>		
--------------------	--	--

### Finishes

RAL 9016 Traffic White (070), Satin Chrome Look (F1) (124), Satin Stainless Steel (040), other finishes available upon request

### Combination

entrance door knuckle hinge	RB 5010 3D
	RB 5015 3D
	RB 5020 3D



## Countersunk metal screw 6.3 x 60.0 T30

screw for SIKU RB door part on thin overlaps

<b>accessories</b>		
--------------------	--	--

### Finishes

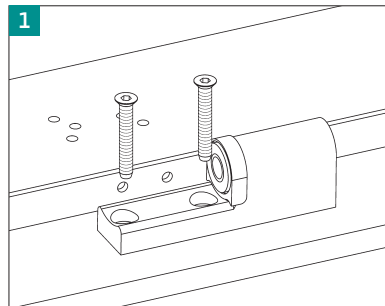
Stainless Steel untreated (041)

### Combination

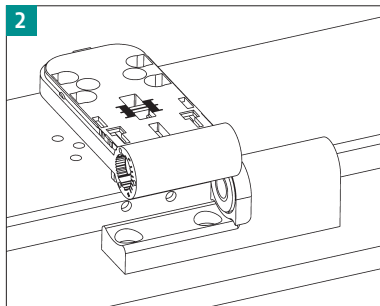
entrance door knuckle hinge	RB 5010 3D
	RB 5015 3D
	RB 5020 3D

# ASSEMBLY

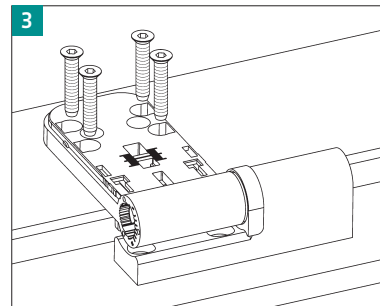
## SIKU 3D



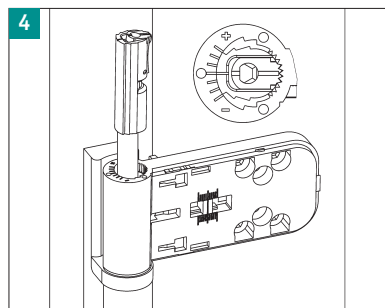
1 Mount the frame part of the hinge by feeding the dowels into the holes and fix it by using enclosed screws.



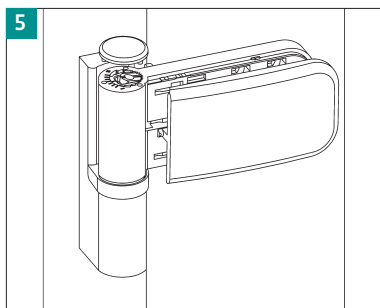
2 Mount the door part of the hinge by moving it slightly circular into the holes.



3 Fix the door part of the hinge by using the four enclosed screws (positions determined by drilled holes).



4 Insert hinge pin, make sure that the gearing of the pin fully engages the gearing of the door part.

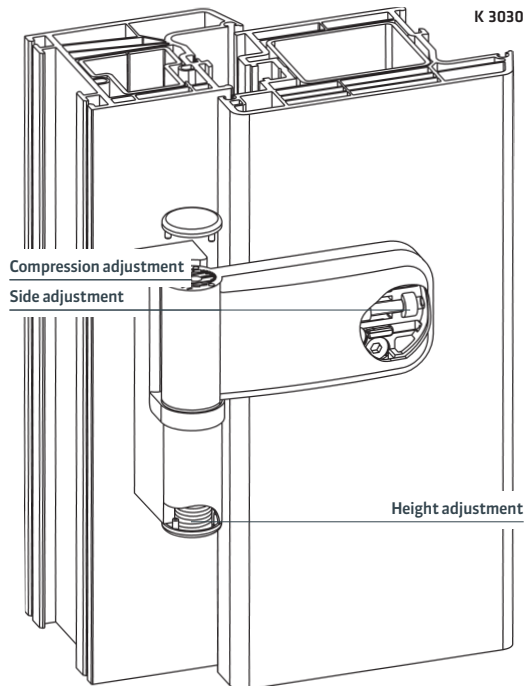


5 Put on cover cap and slide it forward.

On outward opening doors the cover cap should be secured by fastening the grub screw.

# ADJUSTMENT

## SIKU 3D K 3030



### Three-dimensionally, continuously adjustable

side	+/- 5.0 mm
height	+ 5.0/- 1.0 mm
compression	up to +/- 2.0 mm

#### Side adjustment

- remove lateral cover plug
- adjust self-locking screw by using an Allen wrench 4 mm
- side adjustment +/- 5.0 mm
- re-fit plug

#### Height adjustment

- remove cover cap at the bottom
- adjust in height by using an Allen wrench 4 mm
- door can be lifted by max. 5 mm resp. dropped by 1 mm from the initial position (asdelivered condition)
- re-fit cover cap

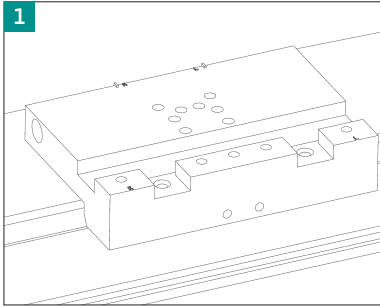
#### Compression adjustment

- remove cover cap at the top
- adjust the compression by turning the Allen wrench 4 mm left or right
- re-fit cover cap

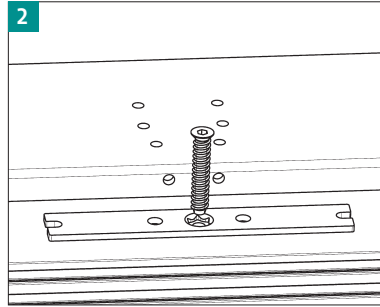
All adjustments to be conducted by means of a 4 mm Allen wrench.

# ASSEMBLY

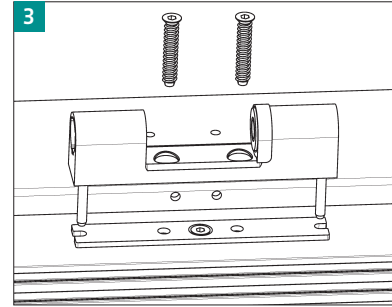
## SIKU 3D K 6060



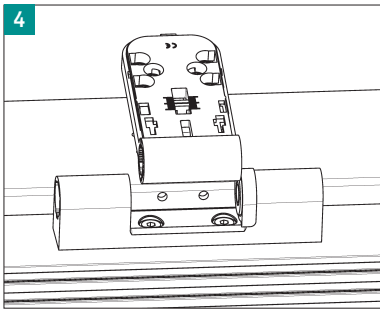
Place door in the frame, apply spacers for the clearance following the recommendations of the profile manufacturer. Determine the hinge position and clamp the drilling jig. Drill holes by using a  $\varnothing 5.0$  mm drill bit.



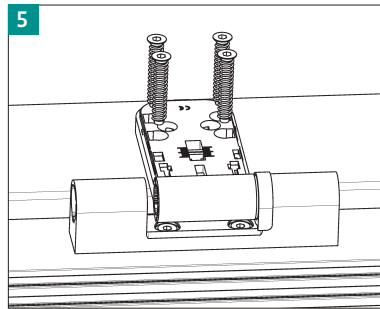
Lightly screw the spacer centrally on the frame using the screw. Do not deform the profile.



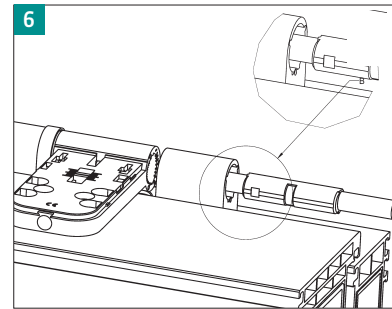
Insert the hinge frame part into the frame holes and secure using the screws.



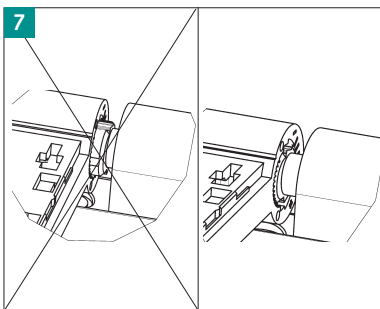
Insert the hinge door part into the door part holes using slight rotation movements.



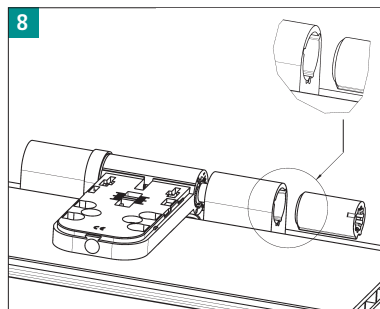
Secure the hinge door part with 4 screws (Position determined by holes).



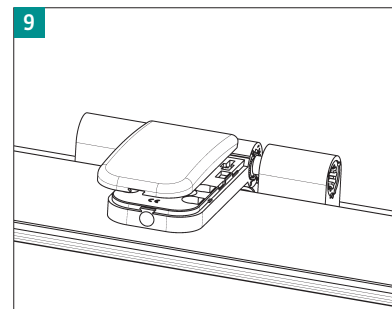
Insert hinge pin, make sure that the positioning mark on the hinge pin points towards the door leaf.



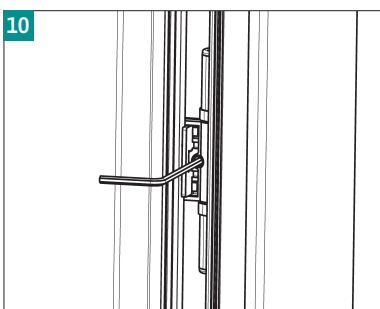
Drive in the pin until the adjustment eccentric in the door part disappears.



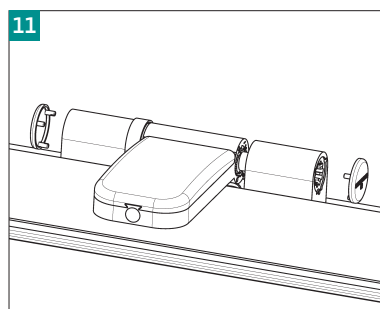
Push in the spacer bush with the chamfer first from the top.



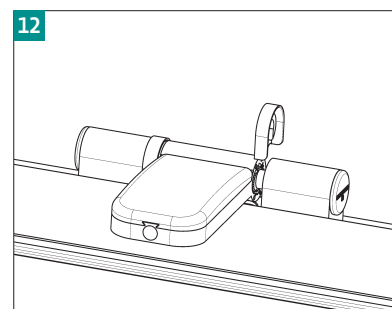
Fit the door leaf cover.



Tighten the security pin.



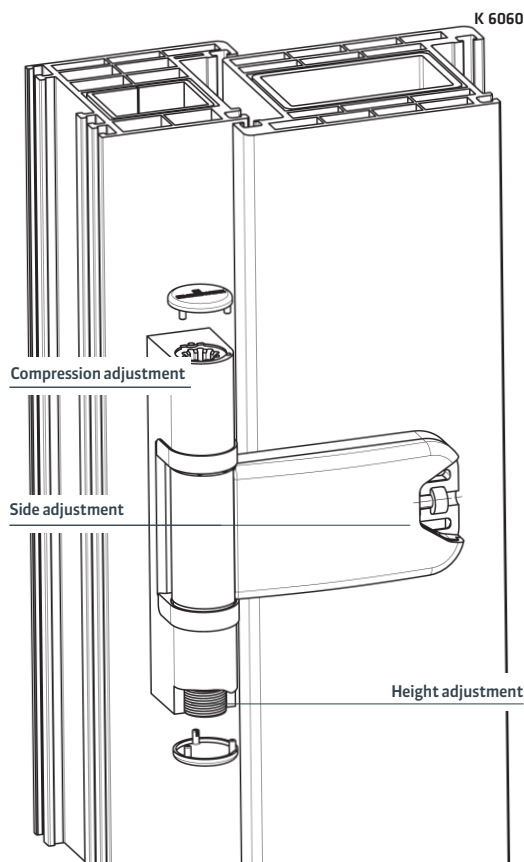
Fit the cover caps.



Fit the HA cover.

# ADJUSTMENT

## SIKU 3D K 6060



### Three-dimensionally, continuously adjustable

side	+/- 5.0 mm
height	+ 4.0/- 1.0 mm
compression	up to +/- 2.0 mm

#### Side adjustment

- remove lateral cover plug
- adjust self-locking screw by using an Allen wrench 4 mm
- side adjustment +/- 5.0 mm
- re-fit plug

#### Height adjustment

- remove cover cap at the bottom
- adjust in height by using an Allen wrench 4 mm
- door can be lifted by max. 5 mm resp. dropped by 1 mm from the initial position (asdelivered condition)
- re-fit cover cap

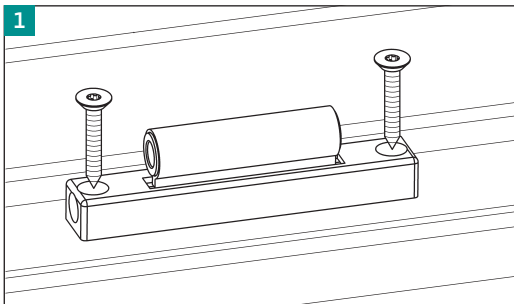
#### Compression adjustment

- loosen security pin
- remove cover cap at the top
- adjust the compression by turning the Allen wrench 4 mm left or right
- re-fit cover cap
- retighten security pin

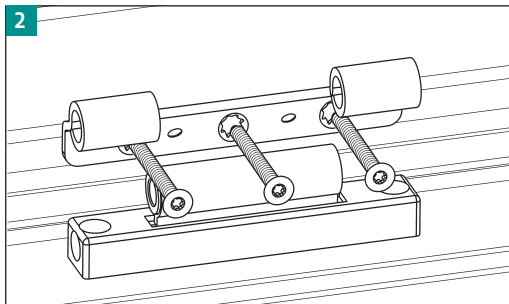
All adjustments to be conducted by means of a 4 mm Allen wrench.

# ASSEMBLY

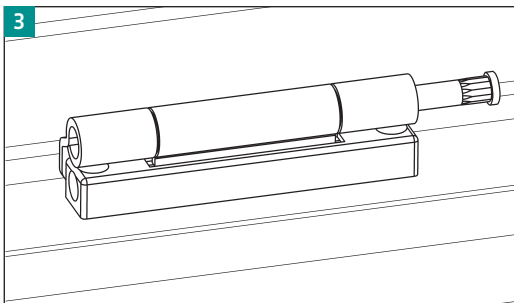
## SIKU RB



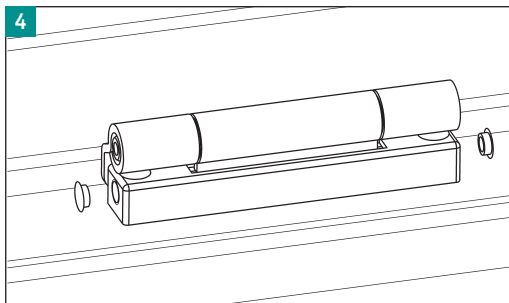
1  
Mount the frame part by feeding the stabilization cams into the holes and fix it by using enclosed screws (6.3 x 38 mm).



2  
Mount door part with positioning cams in the sash holes and fix it by using enclosed screws (7.5 x 70 mm) (max. torque 6 Nm).



3  
Set the door in the frame and insert the hinge pin.

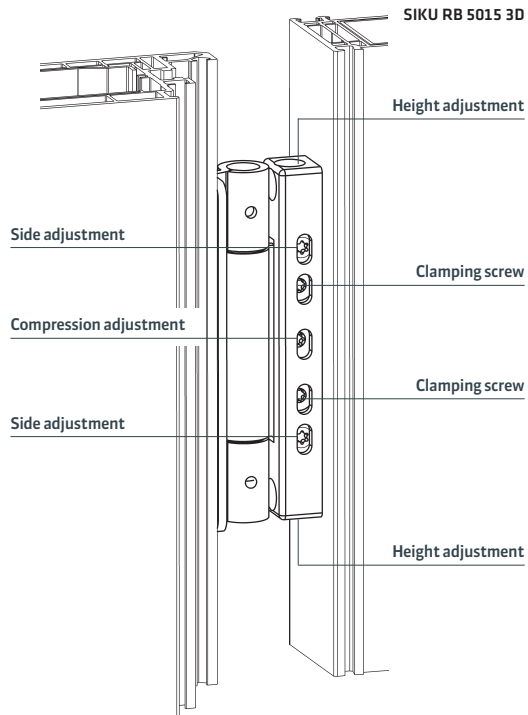


4  
Mount the PVCu cover caps.

We recommend the security pin version (MSTS) for exterior doors.

# ADJUSTMENT

## SIKU RB



### Three-dimensionally, continuously adjustable

side	+/- 3.0 mm
height	+/- 3.0 mm
compression	+/- 1.5 mm

#### Side adjustment

- open the door, loosen upper height adjustment screw
- turn both side adjustment screws equally to avoid tension
- retighten upper height adjustment screw

#### Compression adjustment

- open the door
- loosen the clamping screws slightly and position the door by means of eccentric
- retighten the clamping screws

#### Height adjustment

- open the door
- turn back the upper height adjustment screw
- position the door by means of lower height adjustment screw
- retighten the upper height adjustment screw

SIKU®

**Drilling jig SIKU 3D simultaneous fitting**

for drilling of SIKU 3D

drilling jig	SIKU 3D
<b>Applicable for</b>	
Type 1	SIKU 3D K 3030
	SIKU 3D K 3130
	SIKU 3D K 3230
	SIKU 3D K 3330
	SIKU 3D K 6060
	SIKU 3D K 6160
Type 2	SIKU 3D K 6260
	SIKU 3D K 3035
	SIKU 3D K 3135
	SIKU 3D K 3235
	SIKU 3D K 3335
	SIKU 3D K 6065
Type 3	SIKU 3D K 6165
	SIKU 3D K 6265
	SIKU 3D K 4040
	SIKU 3D K 4140
Type 4	SIKU 3D K 4240
	SIKU 3D K 4340
	SIKU 3D K 4045
	SIKU 3D K 4145
	SIKU 3D K 4245
	SIKU 3D K 4345

**Scope of supply**

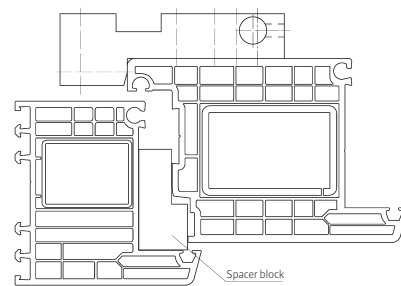
- 1 x drilling jig
- 1 x drill bit Ø 5.0 mm
- 1 x Allen wrench 4 mm
- 2 x blind plugs
- 1 x fitting instruction

**Fitting instructions**

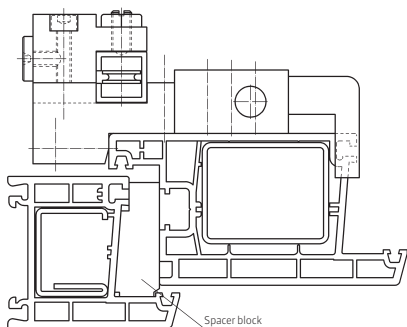
1. Place door in the frame, apply spacers for the clearance following the recommendations of the profile manufacturer.
2. Determine the hinge position and clamp the drilling jig.
3. Drill holes by using a Ø 5.0 mm drill bit.

**Note**

Please indicate exact hinge type when ordering.







## Telescope jig SIKU 3D

for drilling of SIKU 3D

telescope jig		SIKU 3D
<b>Applicable for</b> Type 1		SIKU 3D K 3030
		SIKU 3D K 3130
		SIKU 3D K 3230
		SIKU 3D K 3330
		SIKU 3D K 6060
		SIKU 3D K 6160
Type 2		SIKU 3D K 6260
		SIKU 3D K 3035
		SIKU 3D K 3135
		SIKU 3D K 3235
		SIKU 3D K 3335
		SIKU 3D K 6065
Type 3		SIKU 3D K 6165
		SIKU 3D K 6265
		SIKU 3D K 4040
		SIKU 3D K 4140
Type 4		SIKU 3D K 4240
		SIKU 3D K 4340
		SIKU 3D K 4045
		SIKU 3D K 4145
	SIKU 3D K 4245	
	SIKU 3D K 4345	

### Scope of supply

- 3 x drilling jig
- 6 x eye bolts
- 1 x square rod with cable-pull action
- 2 x end stops
- 1 x drill bit Ø 5.0 mm
- 1 x Allen wrench 4 mm
- 6 x blind plugs
- 1 x fitting instruction

### Fitting instructions

1. Adjust the end stops with regard to the upper hinge position. The jig can now be used for both right and left hand mounting.
2. Place door into frame and use spacer blocks to create clearance as per profile manufacturer's instructions.
3. Place telescopic serial drilling jig on the door leaf and adjust the outer drilling jigs so that the stops rest against the door at top and at the bottom (the middle drilling jig is centred automatically).
4. Clamp telescopic serial drilling jig in place and drill holes with Ø 5.0 mm drill bit.

### Note

Please indicate exact hinge type when ordering.

SIKU®

**Drilling jig SIKU RB simultaneous fitting**

for drilling of SIKU RB

drilling jig SIKU RB

**Applicable for**

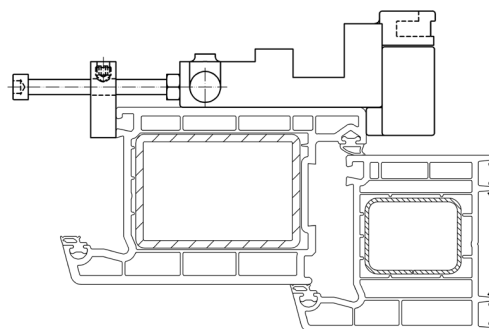
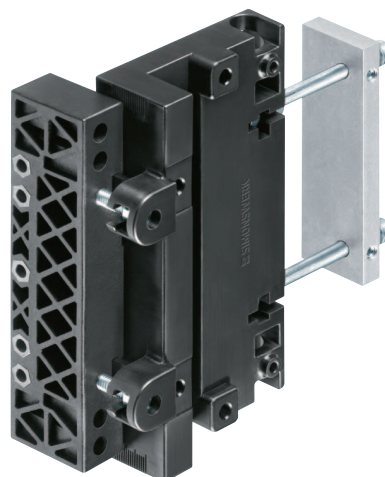
Type 5	RB 5010 3D
	RB 5015 3D
	RB 5020 3D

**Scope of supply**

- 1 x drilling jig
- 1 x drill bit Ø 5.0 mm
- 1 x torx wrench T30
- 1 x fitting instruction

**Fitting instructions**

1. Place door in the frame and use spacer blocks to create clearance as per profile manufacturer's instructions.
2. Mark hinge position, attach drilling jig and clamp in place.
3. Drill holes with a Ø 5.0 mm drill bit.





## Telescope jig SIKU RB

for drilling of SIKU RB

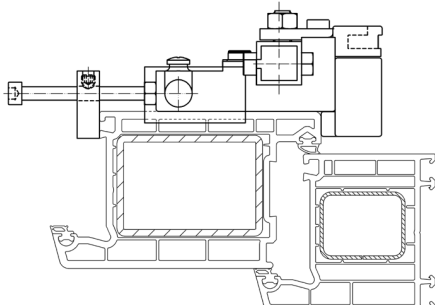
telescope jig		SIKU RB
<b>Applicable for</b>		
Type 5		RB 5010 3D
		RB 5015 3D
		RB 5020 3D

### Scope of supply

- 1 x telescopic serial drilling jig
- 2 x end stops
- 1 x drill bit Ø 5.0 mm
- 1 x torx wrench T30
- 1 x fitting instruction

### Fitting instructions

1. Adjust the end stops with regard to the upper hinge position. The jig can now be used for both right and left hand mounting.
2. Adjust the height of the door drilling on the drilling jig.
3. Place door into frame and use spacer blocks to create clearance as per profile manufacturer's instructions.
4. Place telescopic serial drilling jig on the door leaf and adjust the outer drilling jigs so that the stops rest against the door at top and at the bottom (the middle drilling jig is centred automatically).
5. Clamp telescopic serial drilling jig in place and drill holes with Ø 5.0 mm drill bit.



# SERVICE – COMPREHENSIVE EXPERTISE FOR YOUR DAILY WORK

We are happy to provide you with all the documentation you need to calculate which is the most suitable hinge system for your requirements. Please contact us: we would be delighted to work with you to choose the best solution – from high-quality standard sets right up to the most complex solutions.

Please visit our home page for any information not included in this brochure. You will find it easy to navigate through our user-friendly website to arrive at the detailed, comprehensive solutions.

All our brochures and data sheets can be requested in a printed version, or you can simply download them on the spot – and the same applies to our fitting instructions and milling data.

**[www.simonswerk.com](http://www.simonswerk.com)**



**VISIT OUR PRODUCTSELECTOR**

Whether you are a manufacturer, trade partner or designer, at [www.simonswerk.com](http://www.simonswerk.com) you can find precise, detailed product descriptions that will help you to choose the most suitable hinge systems.






## CONTAINS


SIKU 3D K 4040  
SIKU 3D K 4045  
SIKU 3D K 3030  
SIKU 3D K 3035  
SIKU 3D K 6060  
SIKU 3D K 6065  
RB 5010 3D  
RB 5015 3D  
RB 5020 3D

PLEASE VISIT THE PRODUCTSELECTOR AT  
[www.simonswerk.com](http://www.simonswerk.com)

### **SIMONSWERK GmbH**

Bosfelder Weg 5  
33378 Rheda-Wiedenbrück  
Germany

 +49 5242/413-0

 +49 5242/413-260

info@simonswerk.de  
www.simonswerk.com

